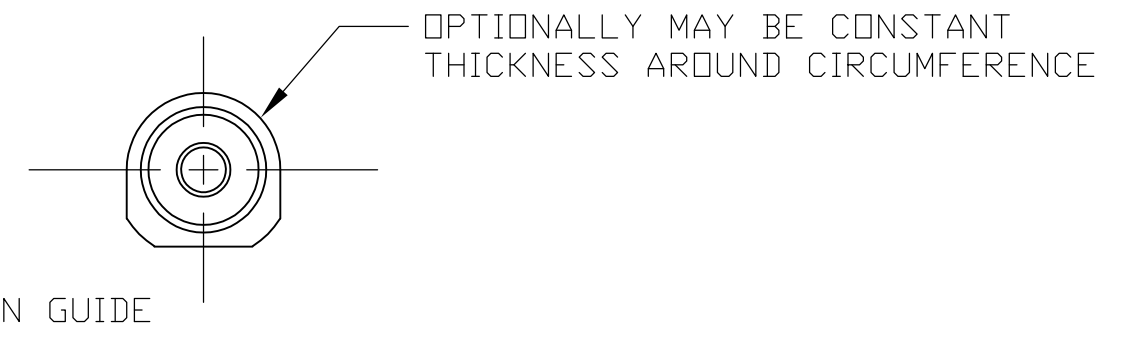
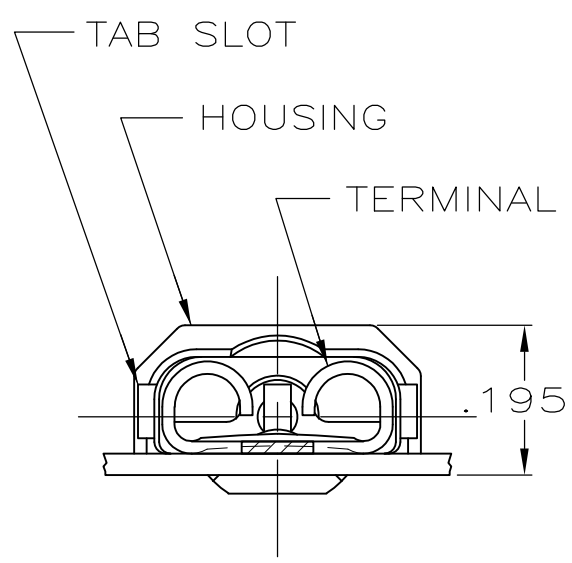
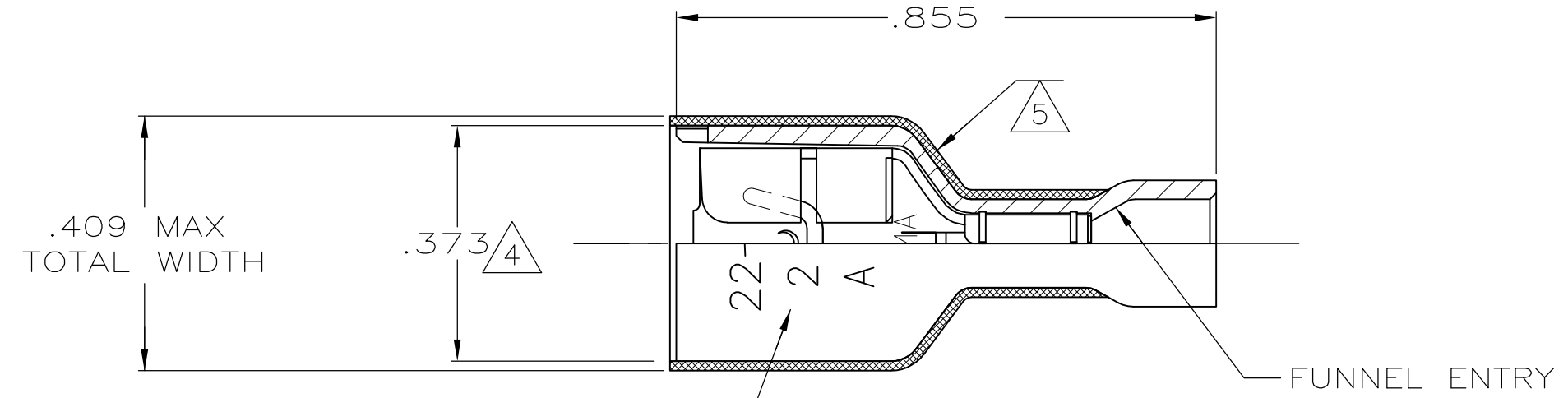


THIS DRAWING IS UNPUBLISHED. RELEASED FOR PUBLICATION  
 © COPYRIGHT - By - ALL RIGHTS RESERVED.

| LOC | DIST | REVISIONS   |                           |         |          |
|-----|------|-------------|---------------------------|---------|----------|
| P   | LTR  | DESCRIPTION | DATE                      | DWN     | APVD     |
| AF  | 50   | L1          | REVISED PER ECO-15-008427 | 08JUN15 | JR<br>DH |

- 1 MATES WITH .032±.001x.250 TAB
- 2 WIRE STRIP LENGTH .281
- 3 INSULATION SIZE .135 MAX DIA
- △4 DIMENSION DOES NOT INCLUDE TRIM BURR
- △5 .015 MAX CARRIER TRIM BURR PER SIDE IS ALLOWABLE IN THE SHADED AREA



|   |            |
|---|------------|
| HOUSING: NYLON, COLOR-RED TRANSLUCENT<br>RECEPTACLE: #3 HARD PH BRONZE, TIN | 2-520184-4 |
| HOUSING: NYLON, COLOR-RED TRANSLUCENT<br>RECEPTACLE: BRASS, TIN             | 2-520184-2 |
| MATERIAL & FINISH   |            |
| PART NO   |            |

|  |                  |                          |  |                 |                     |                  |  |  |
|--|------------------|--------------------------|--|-----------------|---------------------|------------------|--|--|
| THIS DRAWING IS A CONTROLLED DOCUMENT.   |                  | DWN P FORTNEY 10/18/88   | TE Connectivity<br>RECEPTACLE ASSY, ULTRA-FAST,<br>LOOSE PIECE, .250 SERIES, 22-18 AWG |                 |                     |                  |  |  |
| DIMENSIONS: INCHES   |                  | CHK JR RUTH 10/18/88     |  |                 |                     | NAME             |  |  |
| TOLERANCES UNLESS OTHERWISE SPECIFIED:   |                  | APVD K RANDOLPH 10/21/88 |  |                 |                     | PRODUCT SPEC     |  |  |
| 0 PLC ± -<br>1 PLC ± -<br>2 PLC ± -<br>3 PLC ± .015<br>4 PLC ± -<br>ANGLES ± - |                  | 108-2043                 |  |                 |                     | APPLICATION SPEC |  |  |
| MATERIAL SEE TABLE   | FINISH SEE TABLE | 114-2123                 | SIZE A3  | CAGE CODE 00779 | DRAWING NO C-520184 | RESTRICTED TO -  |  |  |
| CUSTOMER DRAWING   |                  |                          | SCALE 4:1  | SHEET 1 OF 1    | REV L1              |                  |  |  |